

GENERAL NOTES

1.0 CONCRETE

1.1 Unless otherwise stated, all concrete grade and crushing strength of structural elements are to be as follows :

LOCATION	STRUCTURAL ELEMENTS	GRADE	CRUSHING STRENGTH AT 28 DAYS
Foundation	Footings	30	30 N/mm ²
1st and Typical Storey level	Beams/Slabs & Columns	30	30 N/mm ²
Roof level	Beams & Slabs	30	30 N/mm ²
1st Storey level	Non-suspended slabs	20	20 N/mm ²

- Sampling and testing of concrete shall be carried out in accordance with the Consultants' specification
- All fresh poured concrete shall be protected by approved means during hardening process. All exposed concrete surface shall be kept in moist or damp condition for a minimum period of seven days after the concreting has taken place
- All wet concrete shall be thoroughly compacted with an approved type of mechanical vibrator
- All reinforced concrete elements in contact with the ground shall be deposited on 50 mm lean concrete (grade 15)
- Unless otherwise stated, all levels shown are structural level
- Unless otherwise stated, all beam sizes indicated are to be read as width x depth. Depth of beam shall include thickness of the slab
- A 75mm high kicker shall be provided at floor level, prior to casting of the second cast. Kicker surface shall be hacked to remove off all loose aggregates and laitance, and shall be cleaned with pressurized water jet.

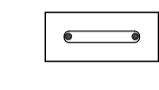
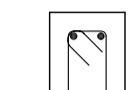

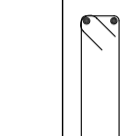
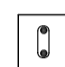
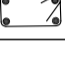
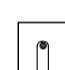
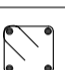
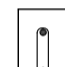

2.0 STEEL REINFORCEMENT

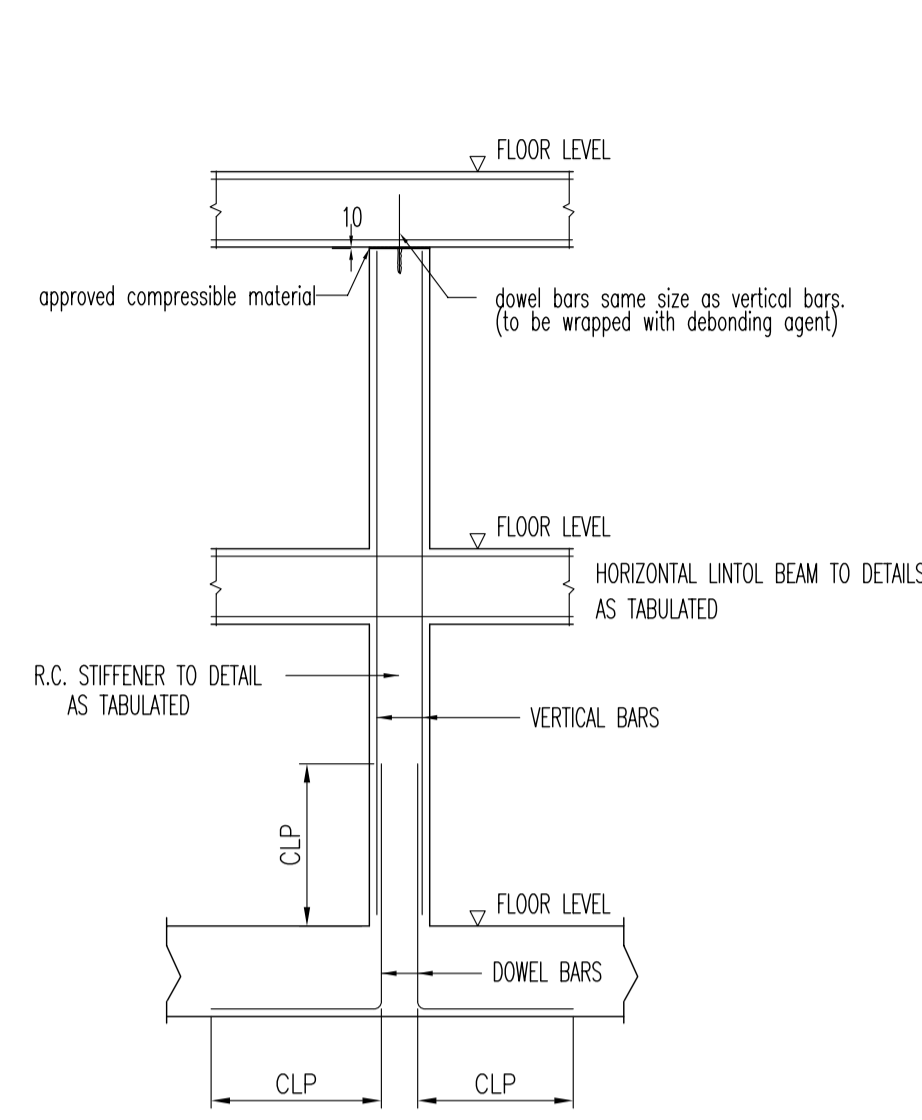
- All steel reinforcement shall comply to latest requirements of BS 4449 & BS 4483 and the yield stresses shall not less than :-
 - 2.1.1 410 N/mm² for high tensile type 2 deformed bars (Y)
 - 2.1.2 250 N/mm² for mild steel bars (R)
 - 2.1.3 485 N/mm² for steel mesh fabric
- All approved reinforcement support, metal chairs and precast cement blocks shall be placed at a distance not greater than 1000mm in both directions
- Unless otherwise stated, minimum concrete cover to all main steel reinforcement shall be as shown:-

Structural element	Minimum concrete cover to all main steel reinforcements			
	2 hours fire rating and below		2 hours fire rating and above	
	Above ground	Below ground	Above ground	Below ground
Slabs	25	30	45	45
Beams	40	50	60	60
Columns	40	50	40	50
Walls	30	50	40	50
Foundation	N/A	75	N/A	75

2.4 Unless otherwise stated, minimum lapping length of steel reinforcement bars shall be as shown:-

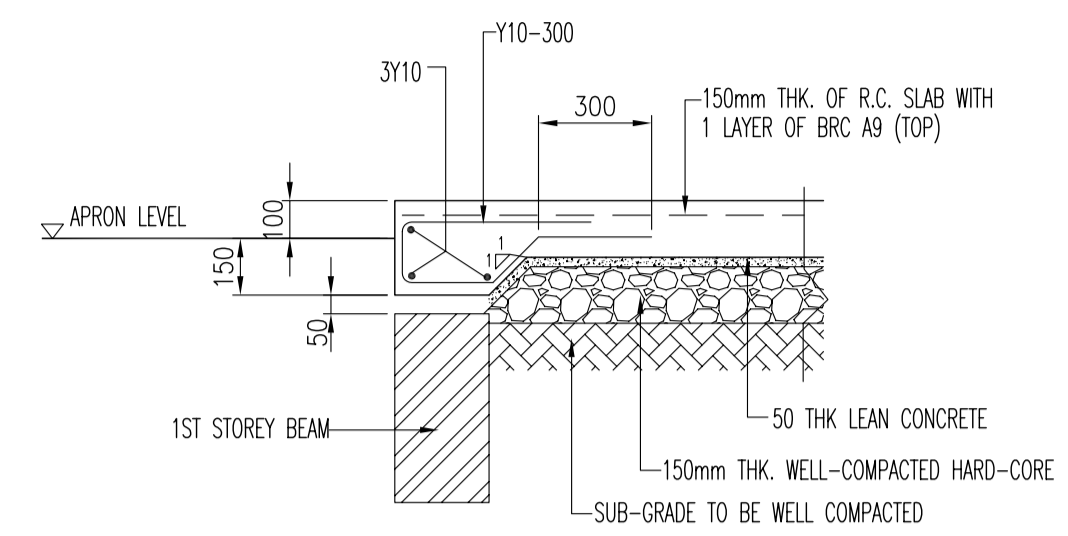
Concrete Grade	Tension lapping length	Compression lapping length
30	52 x bar diameter	20 x bar diameter + 150mm or 37 x bar diameter whichever is greater

R.C. MEMBERS	TYPICAL R.C. STIFFENER DETAIL	
	120mm BRICKWALL	180mm BRICKWALL
VERTICAL STIFFENERS	@ 5000 c/c WITH 2Y16 AND R6 @ 100 c/c LINKS 	@ 8000 c/c WITH 4Y16 AND R10 @ 150 c/c LINKS 
HORIZONTAL TIE BEAMS	@ 3500 c/c WITH 2Y16 AND R6 @ 100 c/c STIRRUPS 	@ 5000 c/c WITH 4Y20 AND R10 @ 200 c/c STIRS 
R.C. LINTOL FOR WIDTH OF DOOR OPENING LESS THAN 1200mm	2Y10 AND R6 @ 100 c/c STIRRUPS 	4Y10 AND R6 @ 150 c/c STIRRUPS 
R.C. LINTOL FOR WIDTH OF DOOR OPENING GREATER THAN 1200mm BUT LESS THAN 2400mm	2Y13 AND R6 @ 100 c/c STIRRUPS 	4Y13 AND R6 @ 100 c/c STIRRUPS 
R.C. LINTOL FOR WIDTH OF DOOR OPENING GREATER THAN 2400mm BUT LESS THAN 3600mm	2Y13 AND R6 @ 100 c/c STIRRUPS 	4Y13 AND R10 @ 100 c/c STIRRUPS 

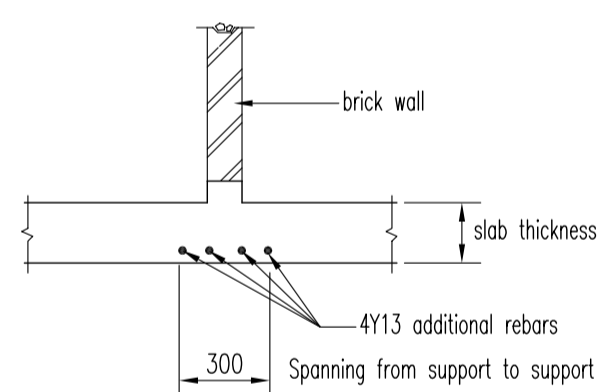


TYPICAL R.C. STIFFENER DETAIL
1:50

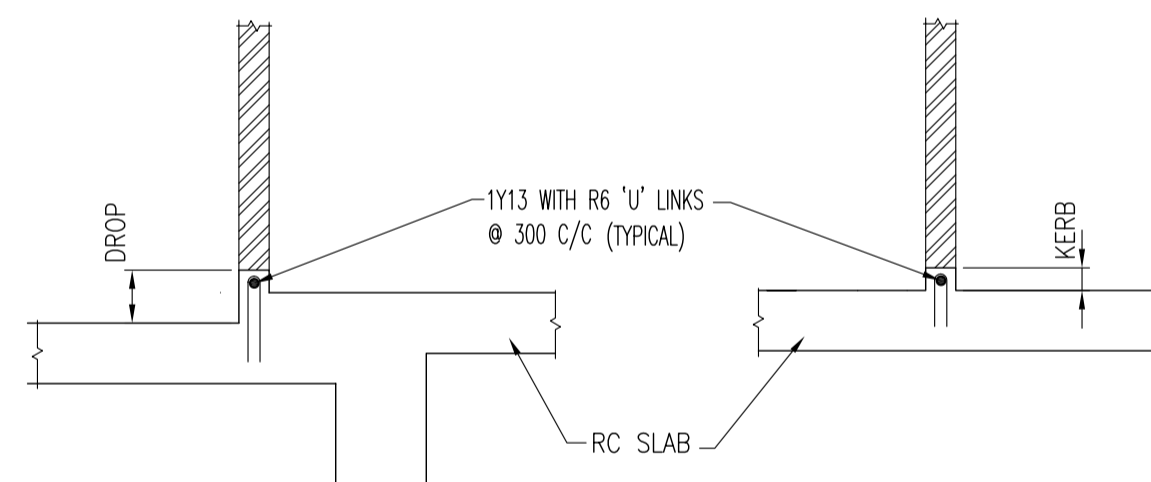
- NOTES:
UNLESS OTHERWISE DETAILED IN DRAWING:
- TYPICAL DETAILS OF R.C. STIFFENERS AND HORIZONTAL LINTOL BEAMS AS SHOWN ABOVE SHALL APPLY.
 - VERTICAL R.C. STIFFENERS, HORIZONTAL BEAMS AND R.C. LINTOL BEAMS SHALL BE PROVIDED FOR ALL BRICKWALLS IN ACCORDANCE TO THE TABLE BELOW.
 - LOCATION REFER TO KEY PLAN AND CONFIRM ON SITE
 - ALL REBAR LAP LENGTHS TO BE COMPRESSION LAP (CLP)



TYPICAL NON-SUSPENDED SLAB DETAIL
1:20



EXTRA REINFT UNDERNEATH BRICKWALL
N.T.S.



DETAILS OF RC KERB (wet area)
N.T.S.

Drawing Status: **FOR CONSTRUCTION**
12 JUNE 2006

Civil & Structural Engineers:
PNE Consultants
CIVIL & STRUCTURAL CONSULTING ENGINEERS
171 Chin Swee Road #06-04 Sun Centre Singapore 169877
Tel: 6438 5655 Fax: 6438 5755 pne@pnecon.com.sg

Drawing Title
GENERAL NOTES AND MISCELLEOUS DETAILS

Drawn	CHEW	Scale	AS SHOWN
Checked	RR/LBW	Project No.	Sg005(38)
Date	24/04/06	Drawing No.	ST-n1
		Revision	A

The Copyright of this drawing is the property of PNE Consultants. This drawing shall not be used for any purpose other than in connection with the project it is originally prepared except with written consent of PNE Consultants. Size **A1**

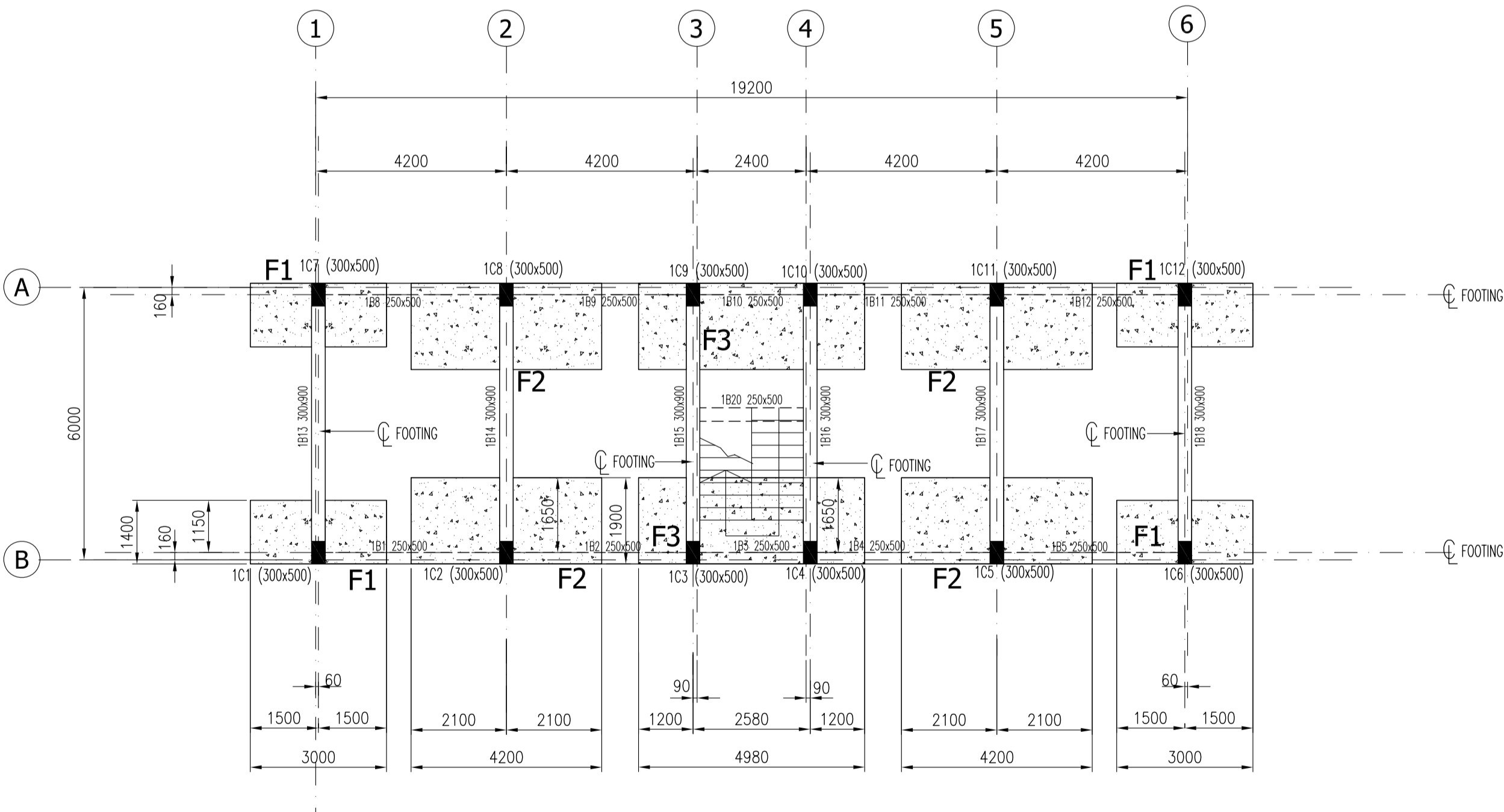
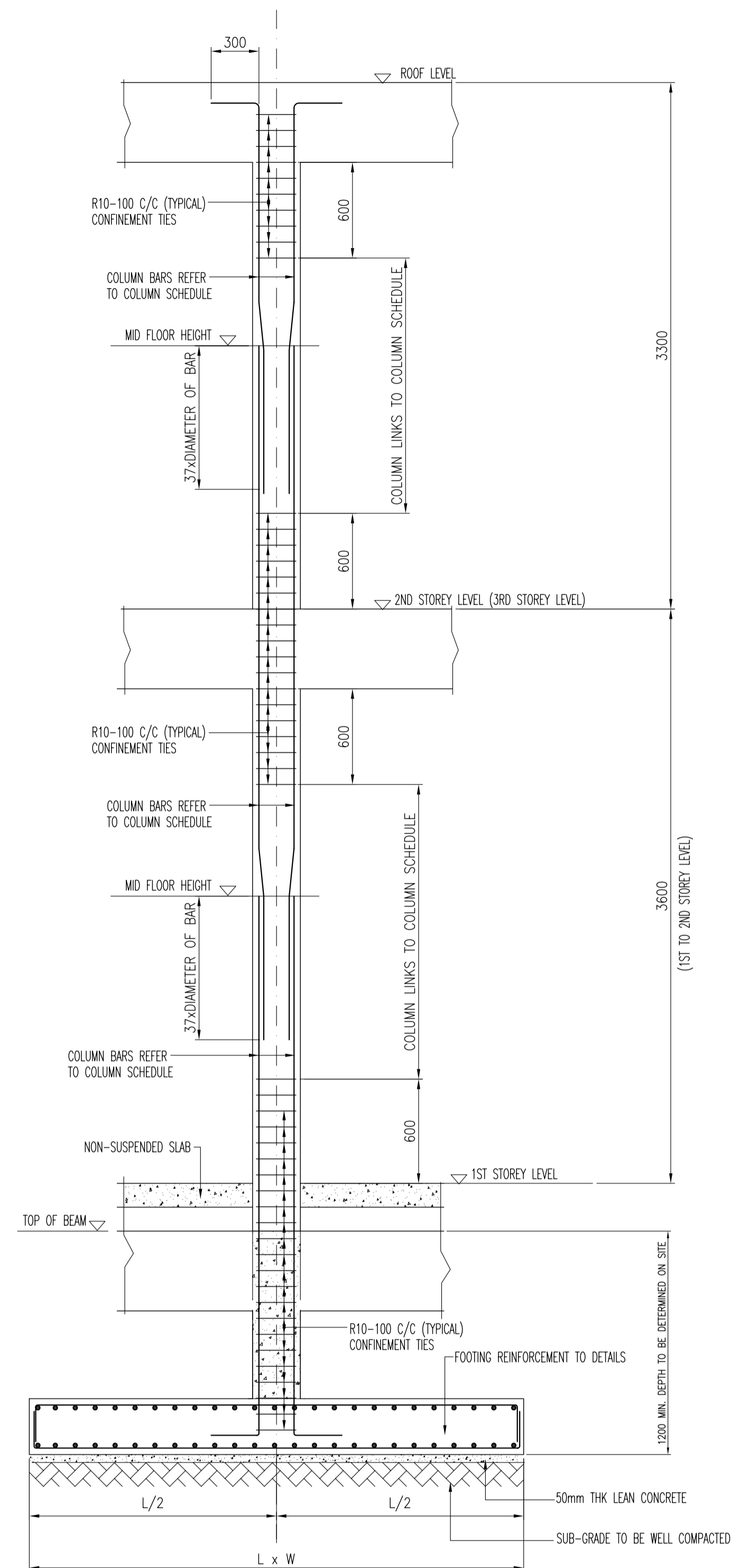
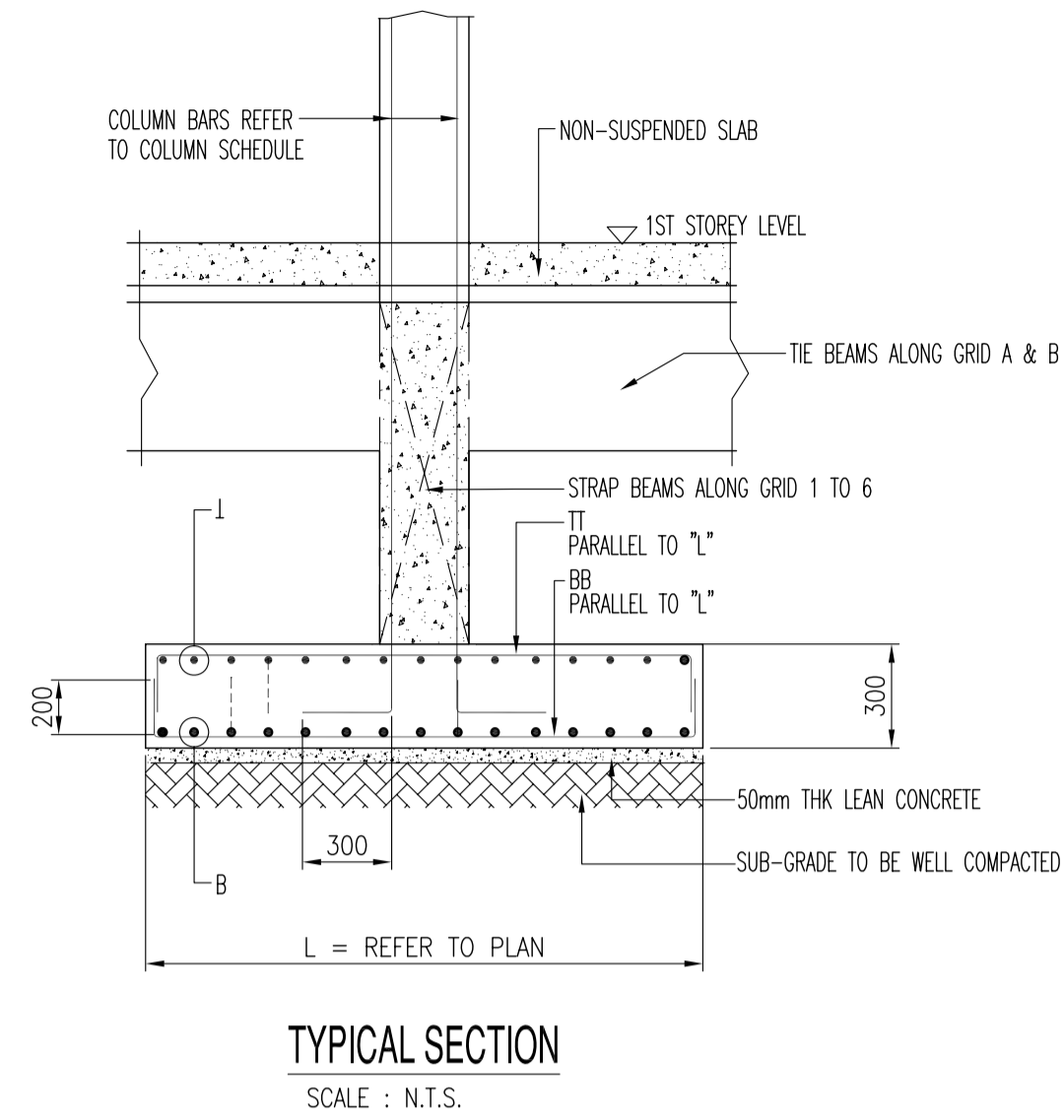
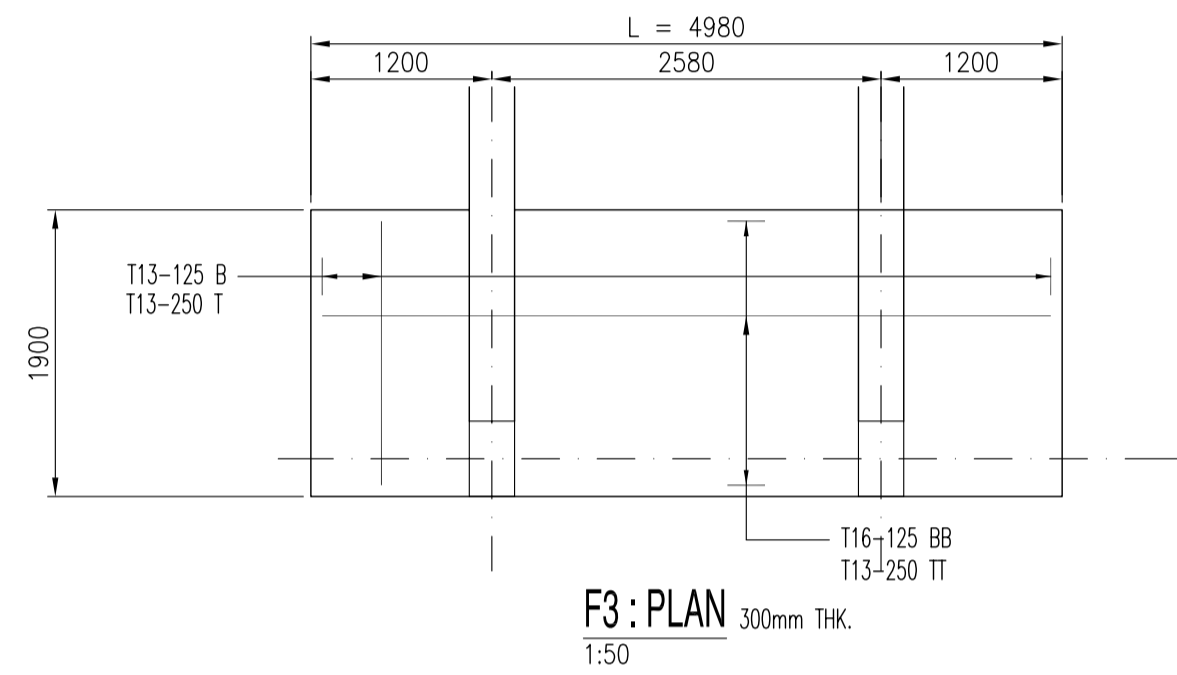
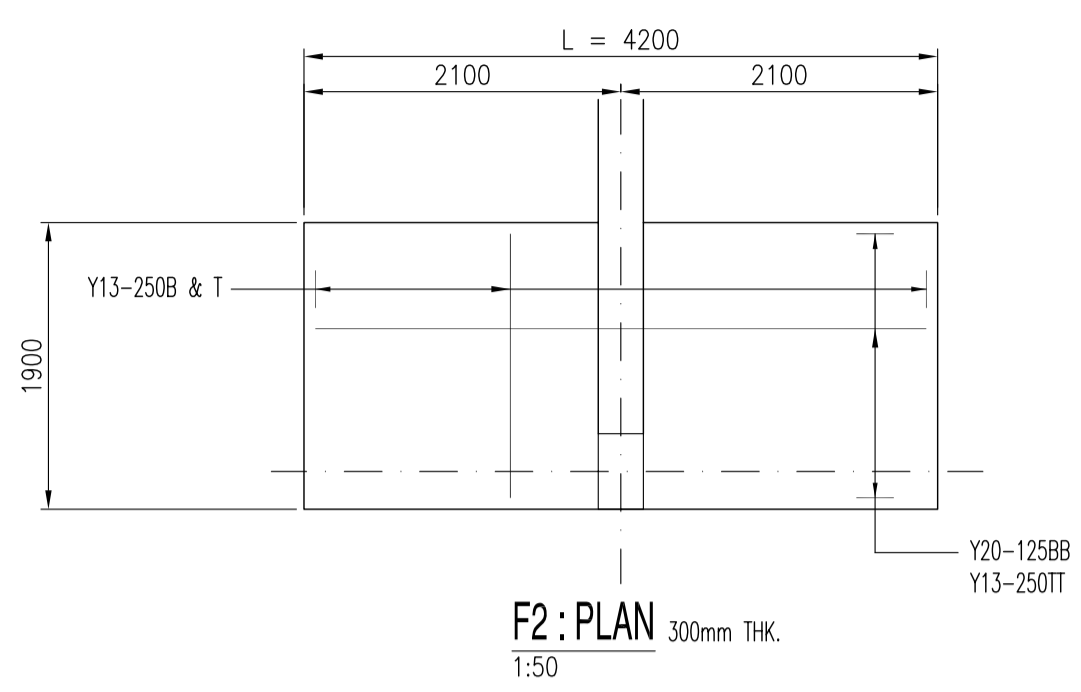
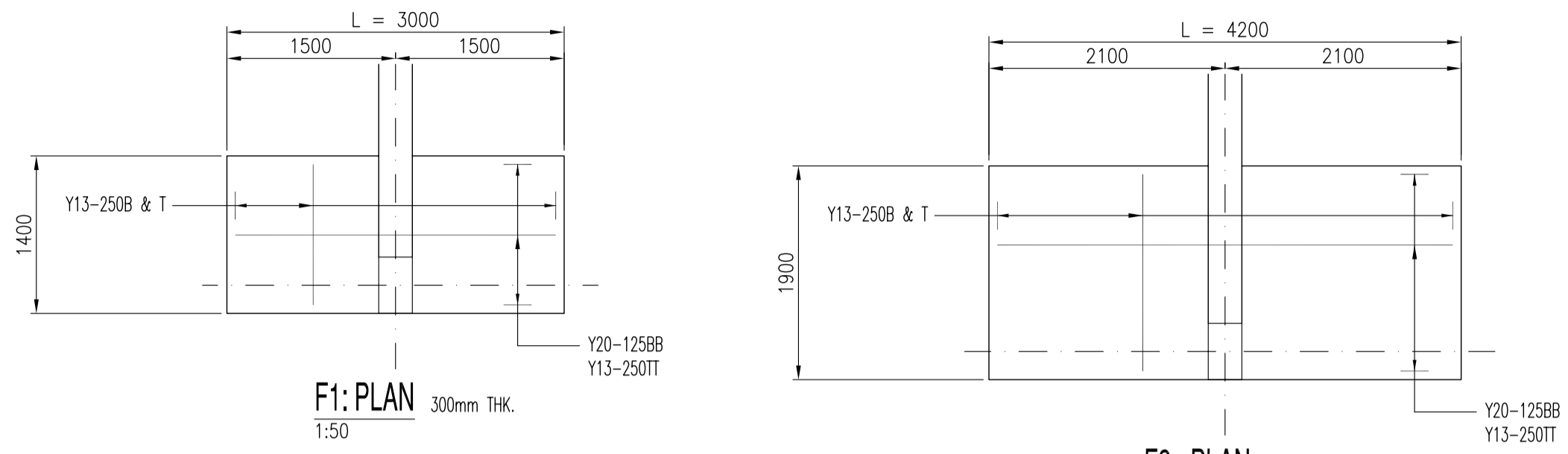
Rev.	Description	Drawn	Checked	Date	Rev.	Description	Drawn	Checked	Date
					A	FOR CONSTRUCTION	chew	RR/LBW	12/06/06

NOTES:
1. Before commencement of the works, all dimensions on site shall be verified against Architect's and Services' drawings.
2. All structural drawings are to be read in conjunction with the relevant Architectural Drawings, Technical Specifications and all other relevant documents. Any discrepancies are to be brought to the attention of the Engineer immediately prior to the commencement of the work.
3. Contractor shall work on figured dimensions only and shall not scale from drawings.

Owner / Developer	-
Tenure of Land	-
Project Manager:	-

Architect:

Project
PROPOSED 3-STOREY YAP KOW NGEET APARTMENT AT HAINAN, CHINA



FOUNDATION KEY PLAN

SCALE 1:100
ALLOWABLE SOIL BEARING CAPACITY = 175 kN/m²

TYPICAL FOOTING AND COLUMN DETAILS

SCALE : 1:25

Drawing Status: **FOR CONSTRUCTION**
12 JUNE 2006

Civil & Structural Engineers:
PnE consultants
CIVIL & STRUCTURAL CONSULTING ENGINEERS
171 Chin Swee Road #06-04 Sun Centre Singapore 169877
Tel: 6438 5655 Fax: 6438 5755 pne@pnecon.com.sg

Drawing Title
**FOUNDATION KEY PLAN
DETAILS OF FOOTINGS**

Drawn	yim	Scale	AS SHOWN
Checked	RR/LBW	Project No.	Sq005(38)
Date	24/04/06	Drawing No.	FT-p1
		Revision	A

The Copyright in this drawing is the property of PnE Consultants. This drawing shall not be used for any purpose other than in connection with the project it is originally prepared except with written consent of PnE Consultants.

Rev.	Description	Drawn	Checked	Date	Rev.	Description	Drawn	Checked	Date
					A	FOR CONSTRUCTION	chew	RR/LBW	12/06/06

NOTES:

- Before commencement of the works, all dimensions on site shall be verified against Architect's and Services' drawings.
- All structural drawings are to be read in conjunction with the relevant Architectural Drawings, Technical Specifications and all other relevant documents. Any discrepancies are to be brought to the attention of the Engineer immediately prior to the commencement of the work.
- Contractor shall work on figured dimensions only and shall not scale from drawings.

Owner / Developer	-	Architect:	
Tenure of Land	-	Project:	PROPOSED 3-STOREY YAP KOW NGE E APARTMENT AT HAINAN, CHINA
Project Manager:			

UPPER ROOF LEVEL ▾							
ROOF LEVEL ▾							TC1
3RD STOREY LEVEL ▾							
2ND STOREY LEVEL ▾							
1ST STOREY LEVEL ▾							
STUMP LEVEL ▾							
COLUMN MARKINGS	1C1	1C2	1C3 1C4	1C5 1C11	1C6 1C12	1C7	1C8 1C9 1C10

COLUMN SCHEDULE

SCALE 1:25

Drawing Status: **FOR CONSTRUCTION**
12 JUNE 2006

Civil & Structural Engineers:
PnE Consultants
CIVIL & STRUCTURAL CONSULTING ENGINEERS
171 Chin Swee Road #06-04 Sun Centre Singapore 169877
Tel: 6438 5655 Fax: 6438 5755 pnc@pnecon.com.sg

Drawing Title DETAILS OF COLUMN SCHEDULE			
Drawn: yim	Scale: AS SHOWN		
Checked: RR/LBW	Project No. Sq005(38)	Drawing No. CS-d1	Revision: A
Date: 24/04/06	The Copyright of this drawing is the property of PnE Consultants. This drawing shall not be used for any purpose other than in connection with the project it is originally prepared except with written consent of PnE Consultants.		
			Size: A1

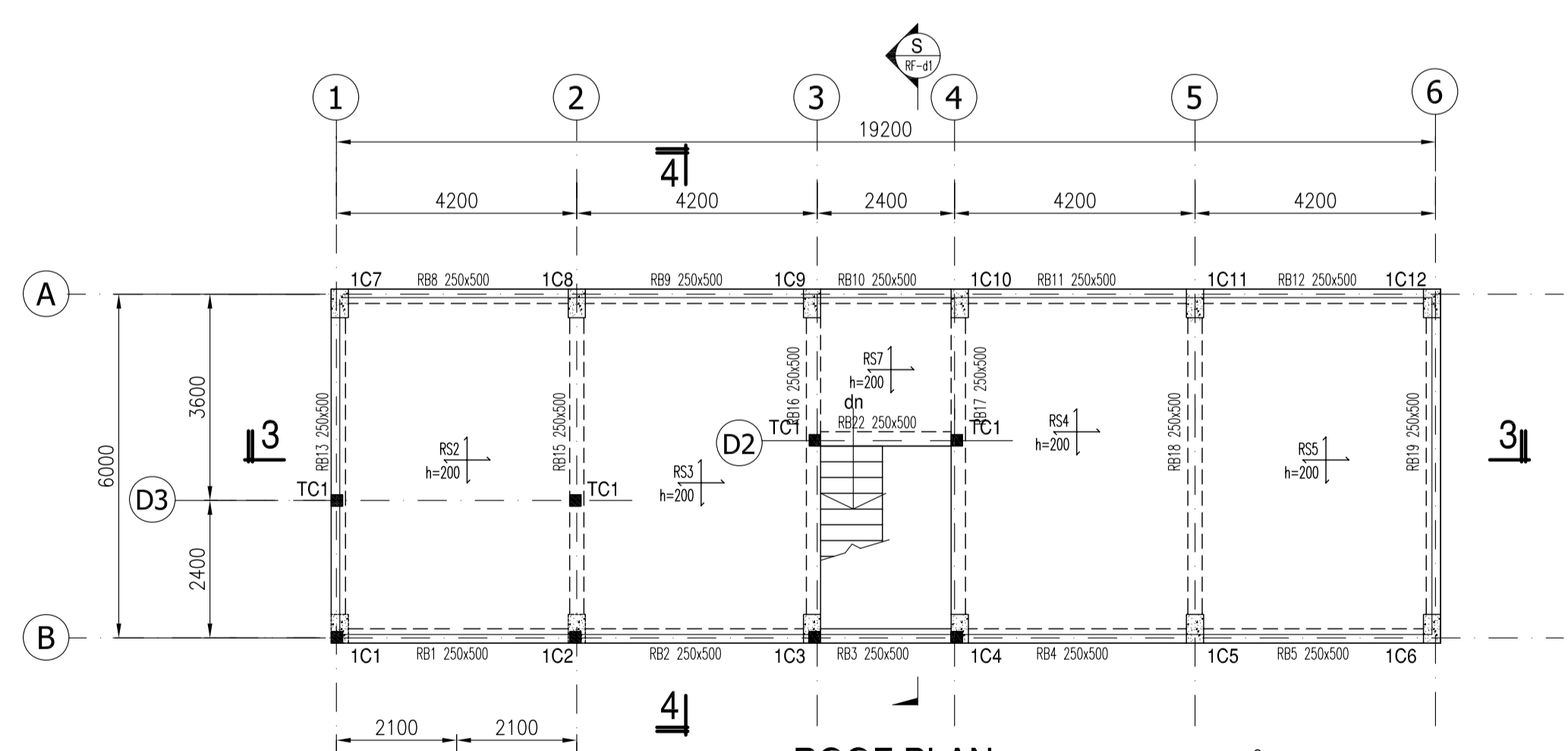
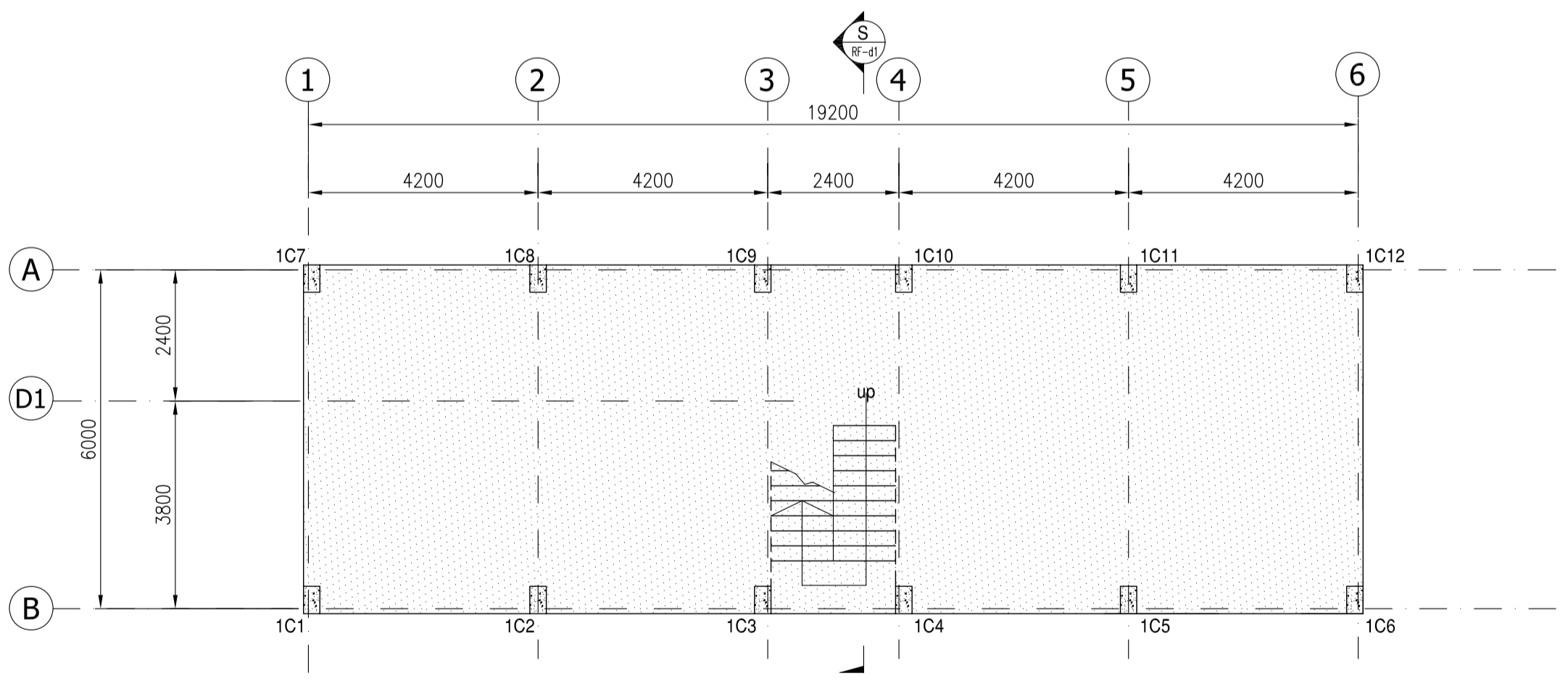
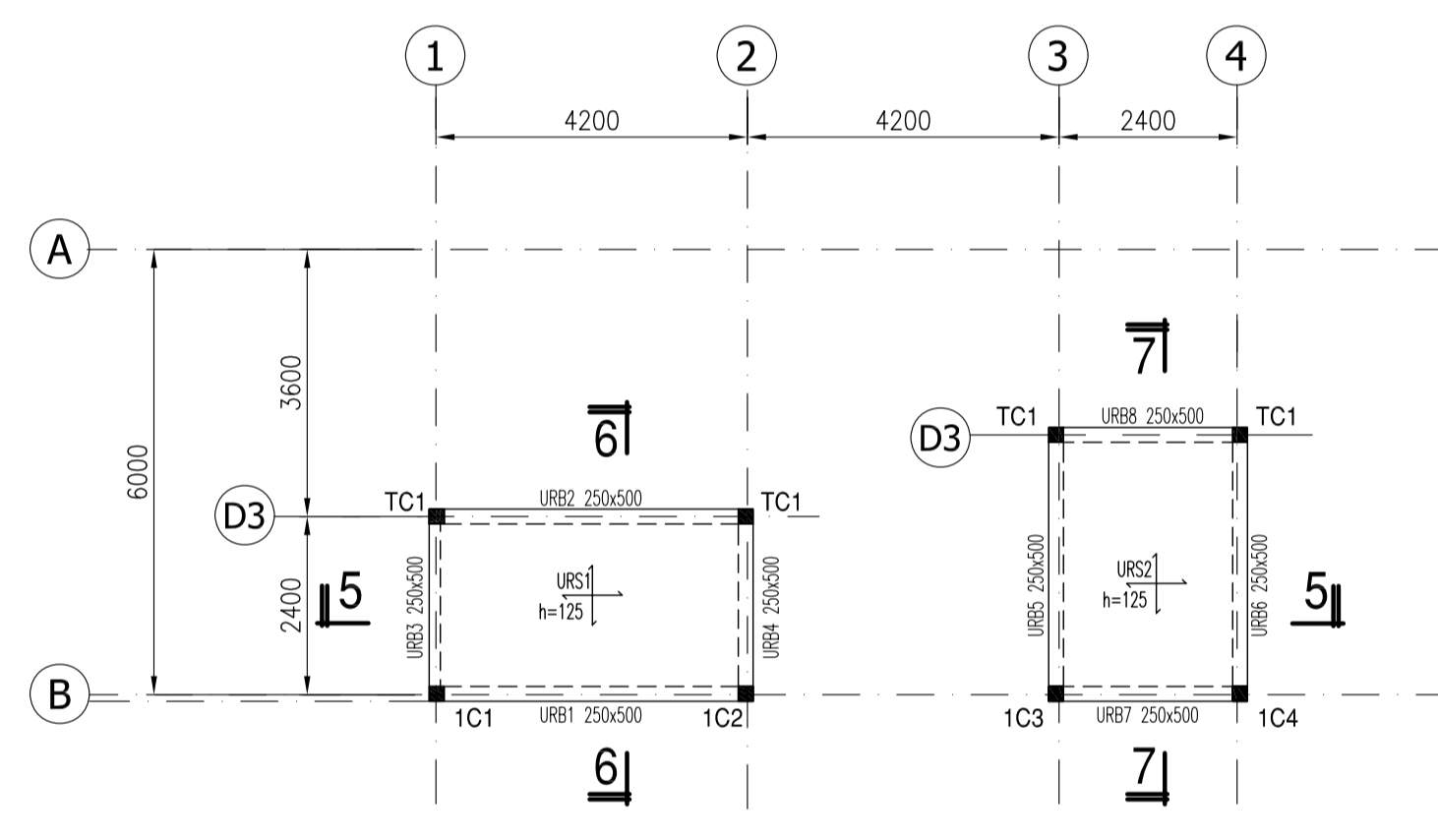
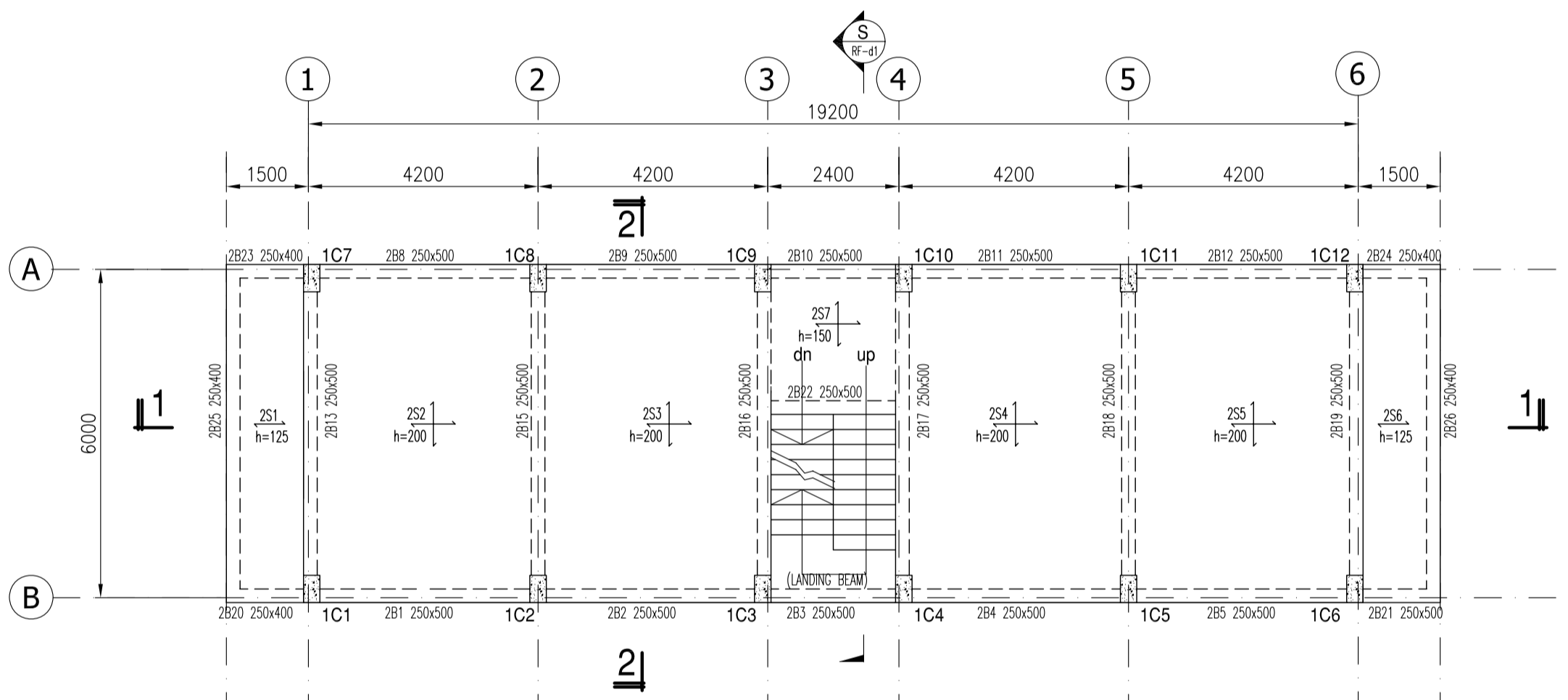
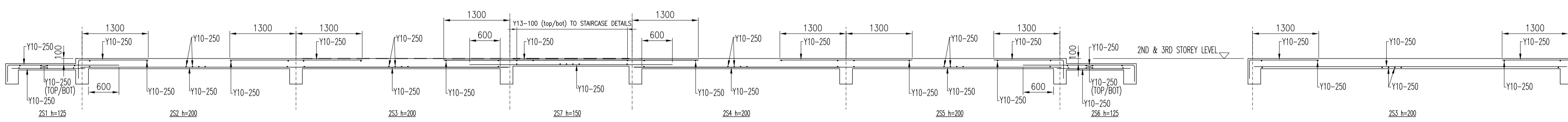
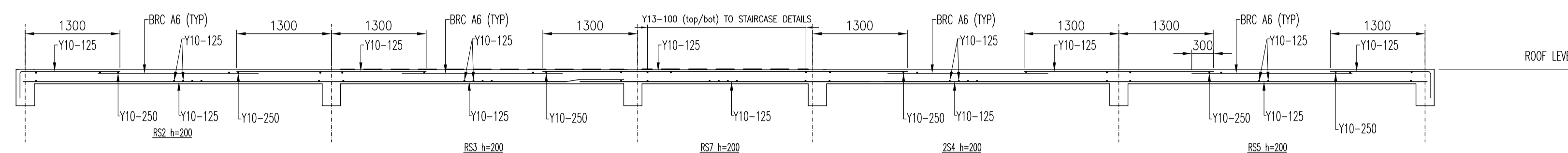
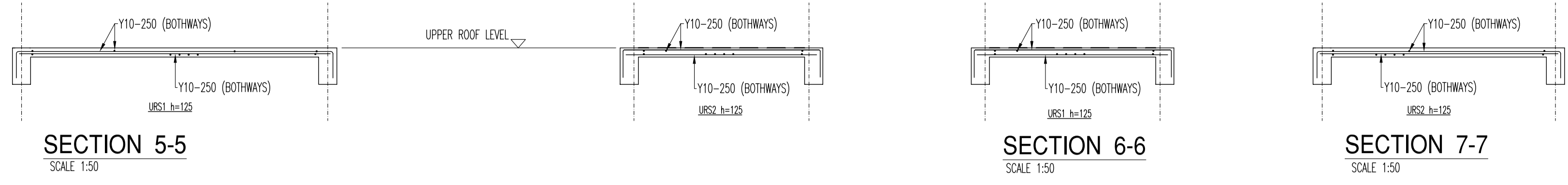
Rev.	Description	Drawn	Checked	Date	Rev.	Description	Drawn	Checked	Date
					A	FOR CONSTRUCTION	chew	RR/LBW	12/06/06

NOTES:

- Before commencement of the works, all dimensions on site shall be verified against Architect's and Services' drawings.
- All structural drawings are to be read in conjunction with the relevant Architectural Drawings, Technical Specifications and all other relevant documents. Any discrepancies are to be brought to the attention of the Engineer immediately prior to the commencement of the work.
- Contractor shall work on figured dimensions only and shall not scale from drawings.

Owner / Developer: -
Tenure of Land: -
Project Manager:

Architect:
Project:
PROPOSED 3-STOREY YAP KOW NGEE APARTMENT AT HAINAN, CHINA



2ND & 3RD STOREY PLAN (Live loads=1.5 kN/m²)
SCALE 1:100

UPPER ROOF PLAN (Live loads=0.75 kN/m²)
SCALE 1:100

1ST STOREY PLAN (Non-Suspended slab)
SCALE 1:100

ROOF PLAN (Live loads=3.0 kN/m²)
SCALE 1:100

NOTES:

- Before commencement of the works, all dimensions on site shall be verified against Architect's and Services' drawings.
- All structural drawings are to be read in conjunction with the relevant Architectural Drawings, Technical Specifications and all other relevant documents. Any discrepancies are to be brought to the attention of the Engineer immediately prior to the commencement of the work.
- Contractor shall work on figured dimensions only and shall not scale from drawings.

Owner / Developer	-
Tenure of Land	-
Project Manager:	-

Architect:	-
Project	PROPOSED 3-STOREY YAP KOW NGEET APARTMENT AT HAINAN, CHINA

Rev.	Description	Drawn	Checked	Date	Rev.	Description	Drawn	Checked	Date

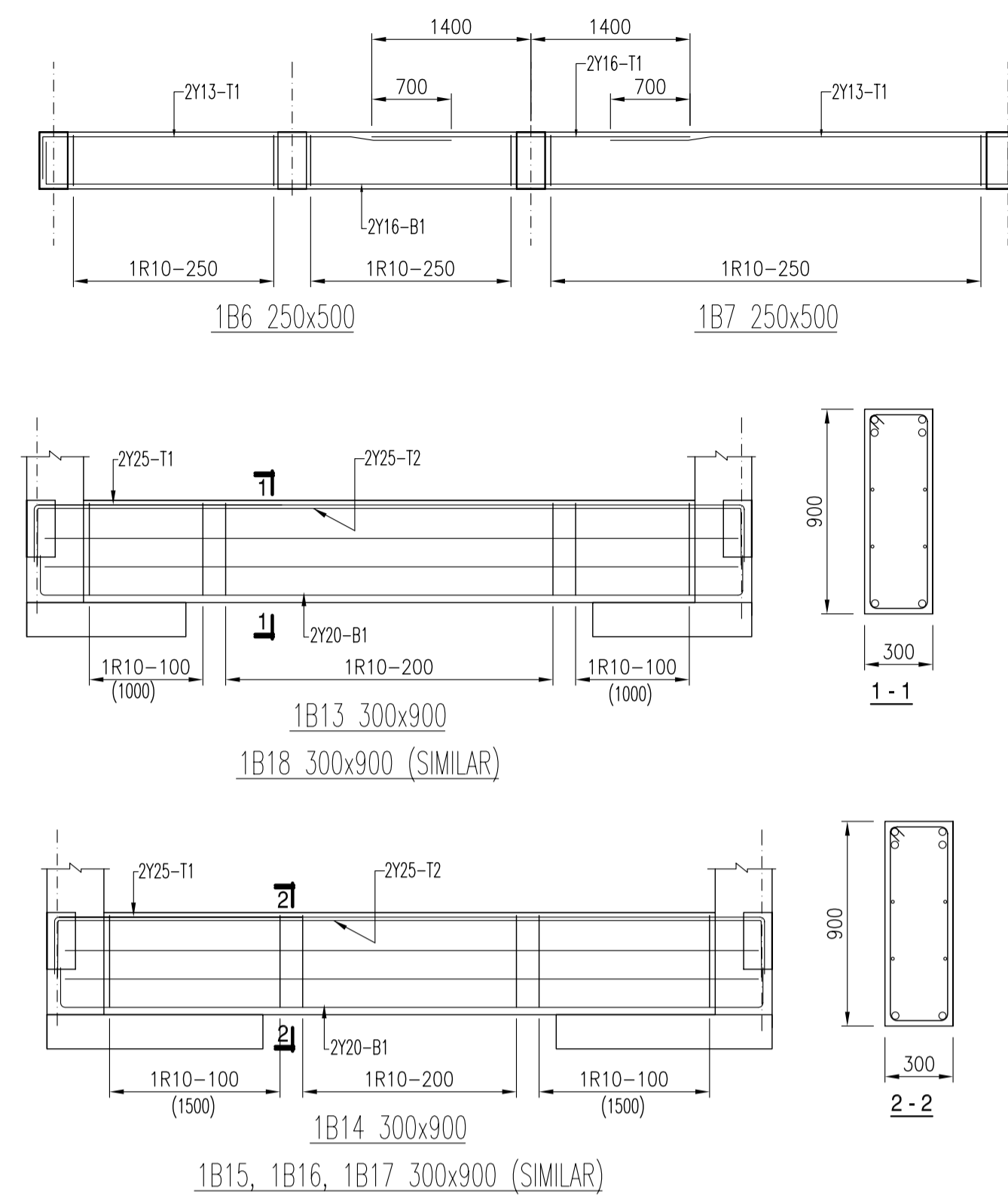
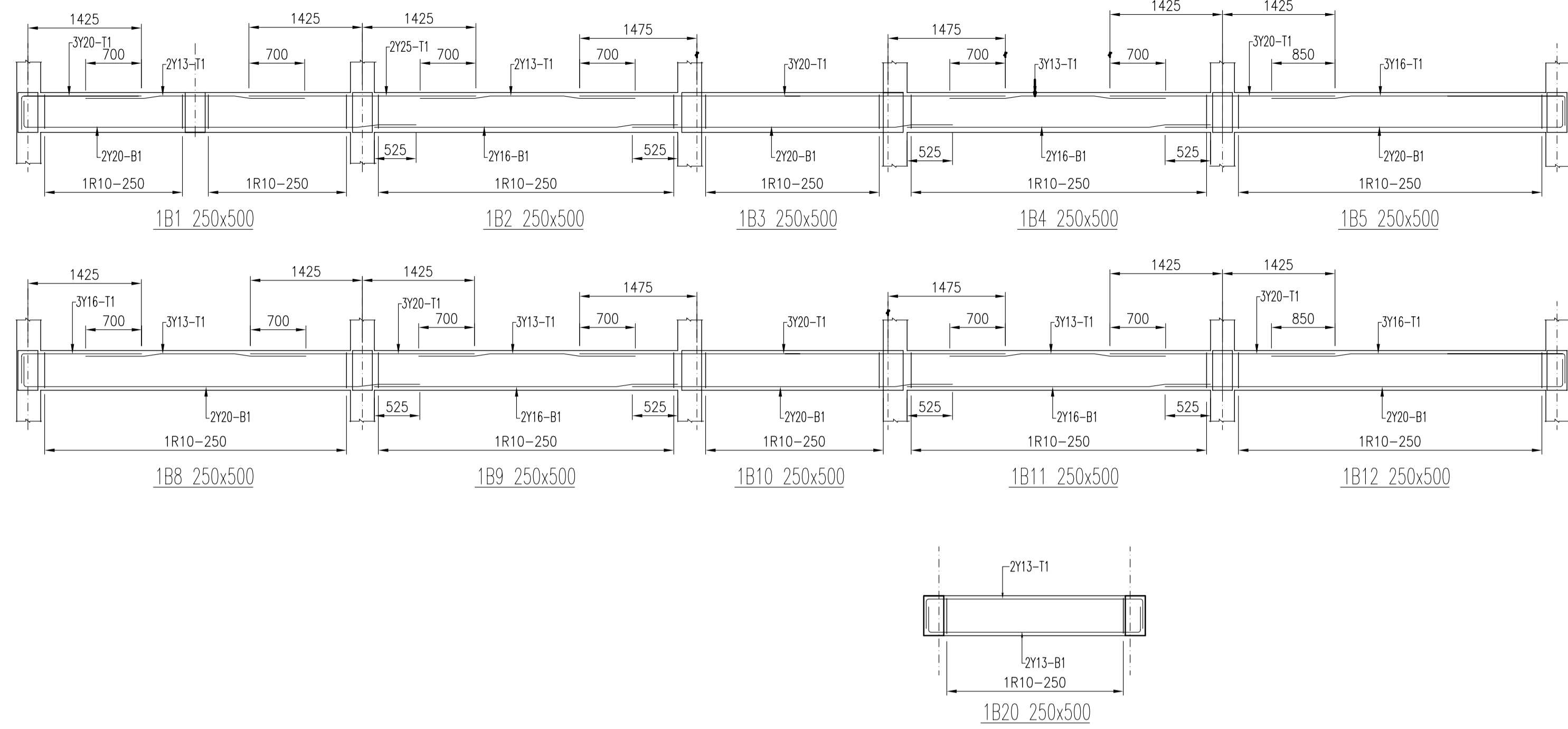
Drawing Status: **FOR CONSTRUCTION**
12 JUNE 2006

Civil & Structural Engineers:
PnE Consultants
CIVIL & STRUCTURAL CONSULTING ENGINEERS
171 Chin Swee Road #06-04 Sun Centre Singapore 169877
Tel: 6438 5655 Fax: 6438 5755 pne@pnecon.com.sg

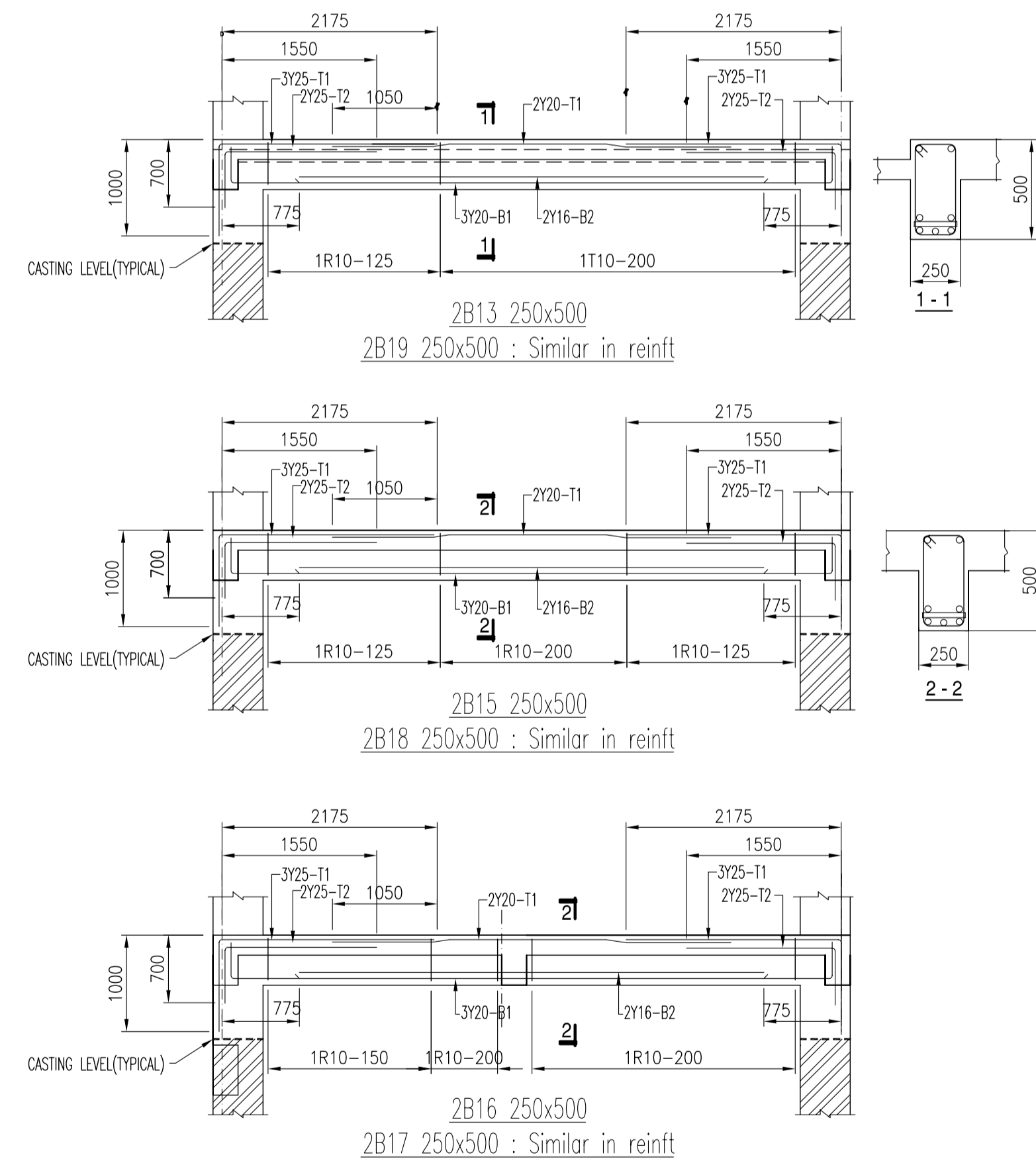
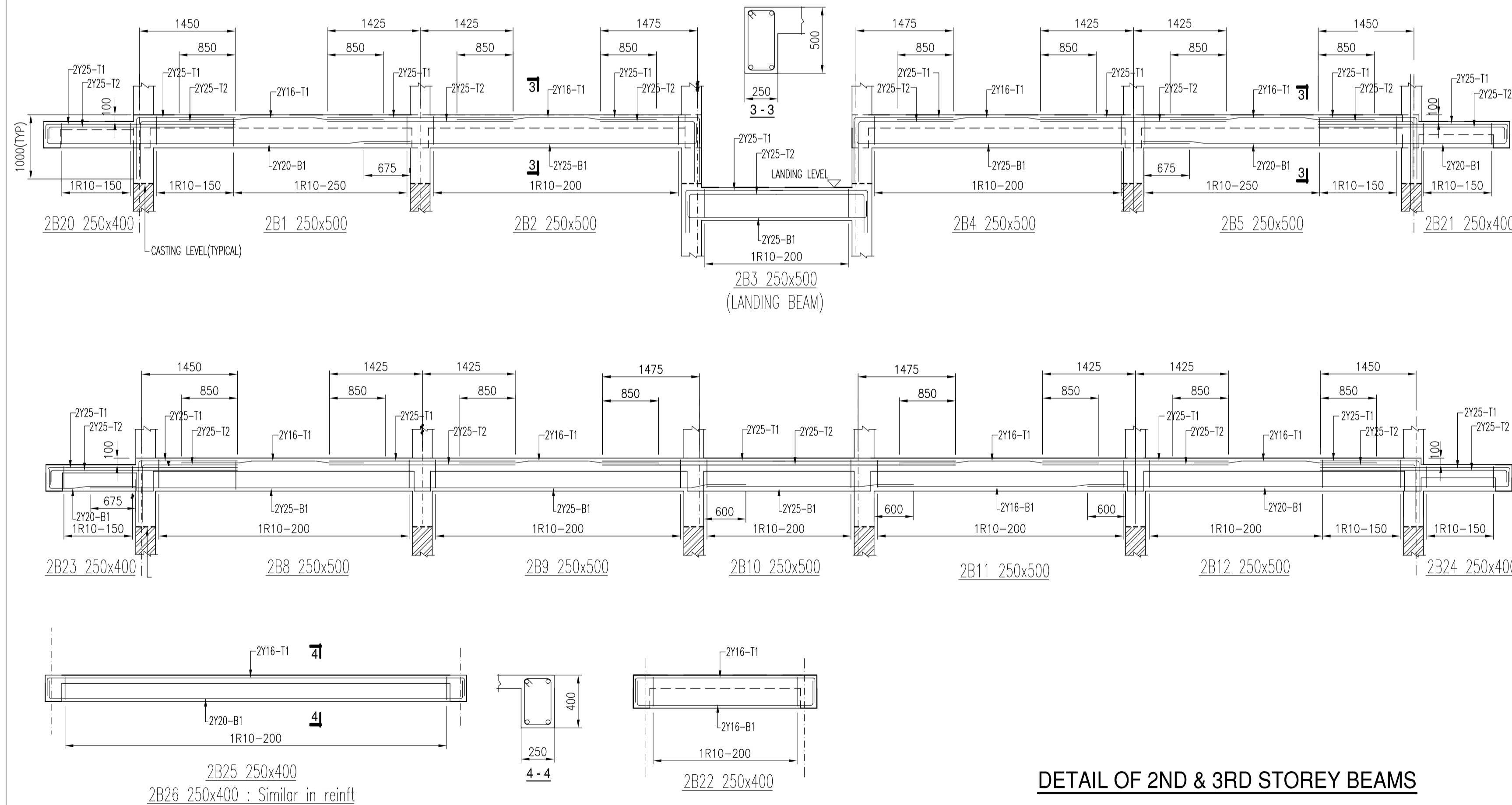
Drawing Title
**1ST, 2ND, 3RD, ROOF AND UPPER ROOF PLANS
DETAILS OF 2ND, 3RD, AND UPPER ROOF SLABS**

Drawn	yim	Scale	AS SHOWN	Revision	
Checked	RR/LBW	Project No.	Sq005(38)	Drawing No.	01-p1
Date	24/04/06				A

The Copyright of this drawing is the property of PnE Consultants. This drawing shall not be used for any purpose other than in connection with the project it is originally prepared except with written consent of PnE Consultants.



DETAIL OF 1ST STOREY BEAMS



DETAIL OF 2ND & 3RD STOREY BEAMS

Drawing Status: **FOR CONSTRUCTION**
12 JUNE 2006

Civil & Structural Engineers:
PnE Consultants
CIVIL & STRUCTURAL CONSULTING ENGINEERS
171 Chin Swee Road #06-04 Sun Centre Singapore 169877
Tel: 6438 5655 Fax: 6438 5755 pne@pnecon.com.sg

Drawing Title:
DETAILS OF 1ST, 2ND AND 3RD STOREY BEAMS

Drawn	yim	Scale	1:50
Checked	RR/LBW	Project No.	Sq005(38)
Date	24/04/06	Drawing No.	01-d1
		Revision	A

The Copyright of this drawing is the property of PnE Consultants. This drawing shall not be used for any purpose other than in connection with the project it is originally prepared except with written consent of PnE Consultants.

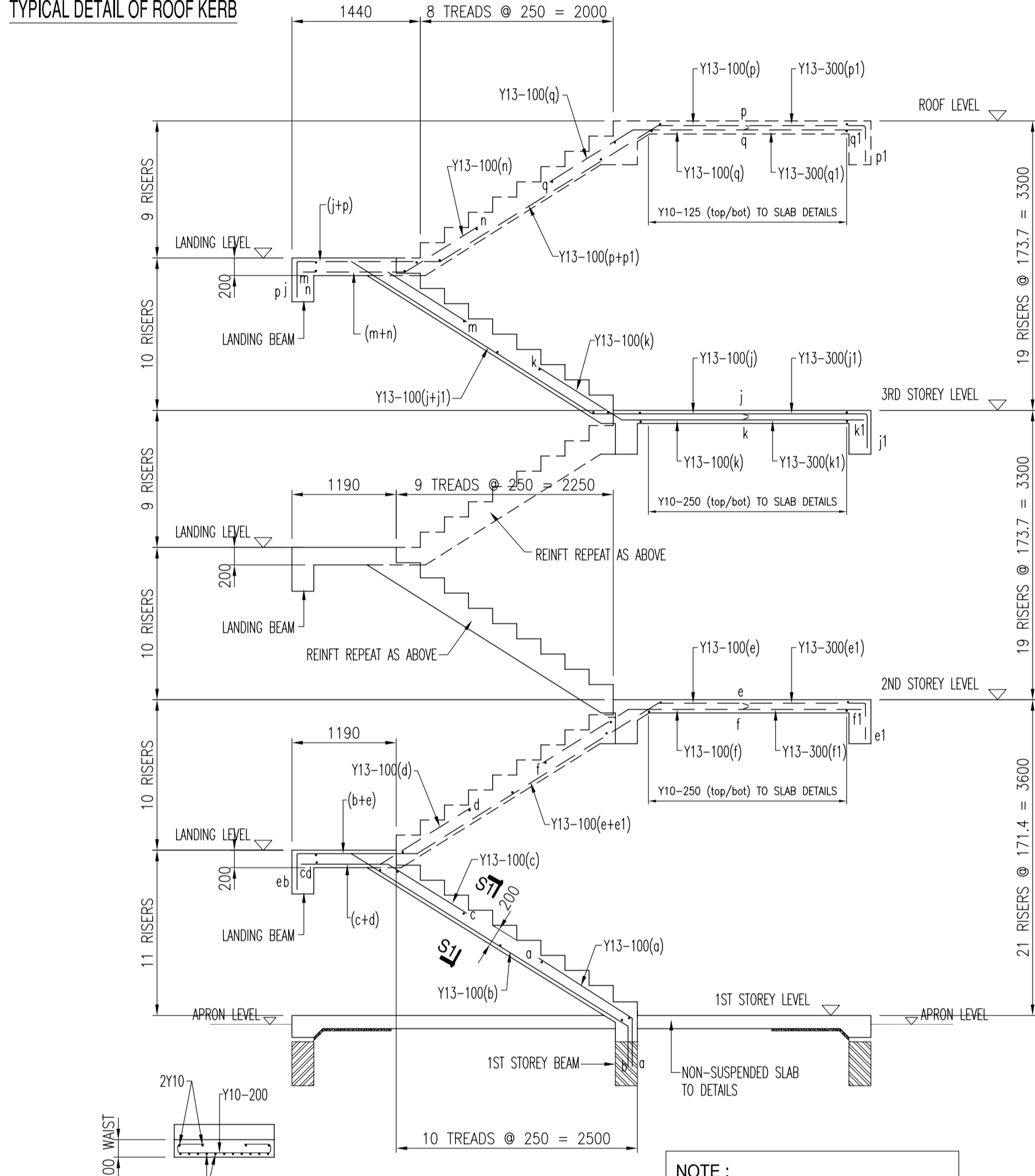
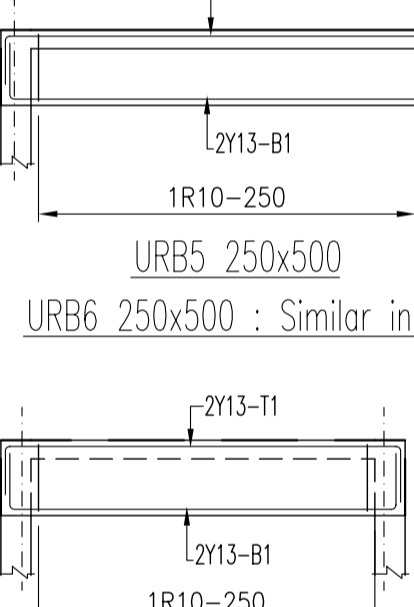
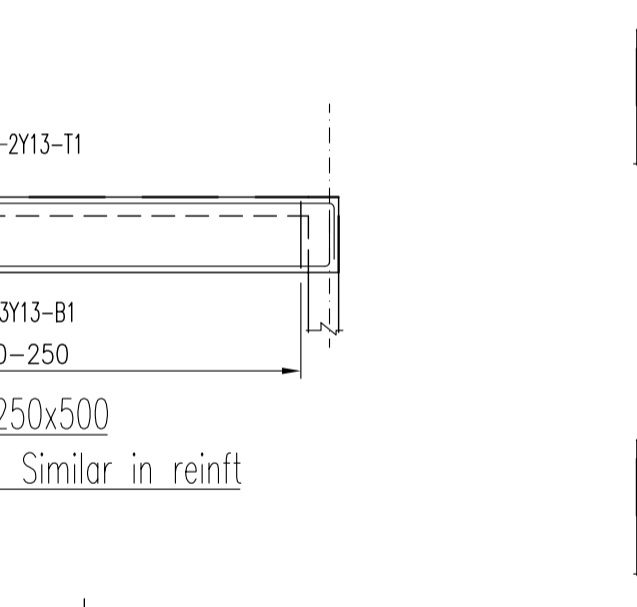
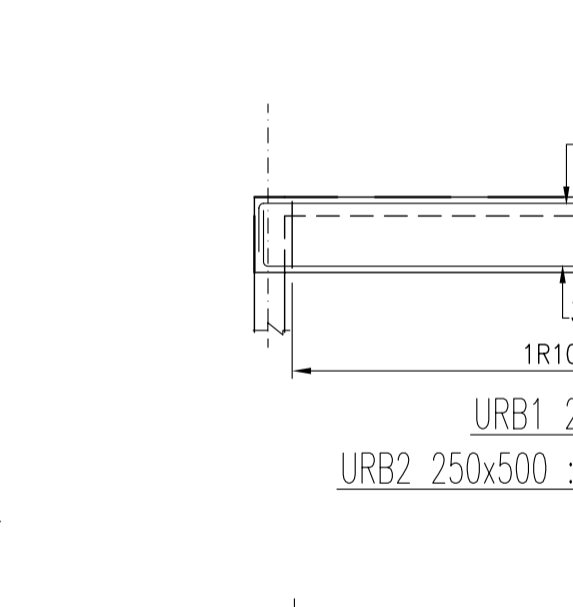
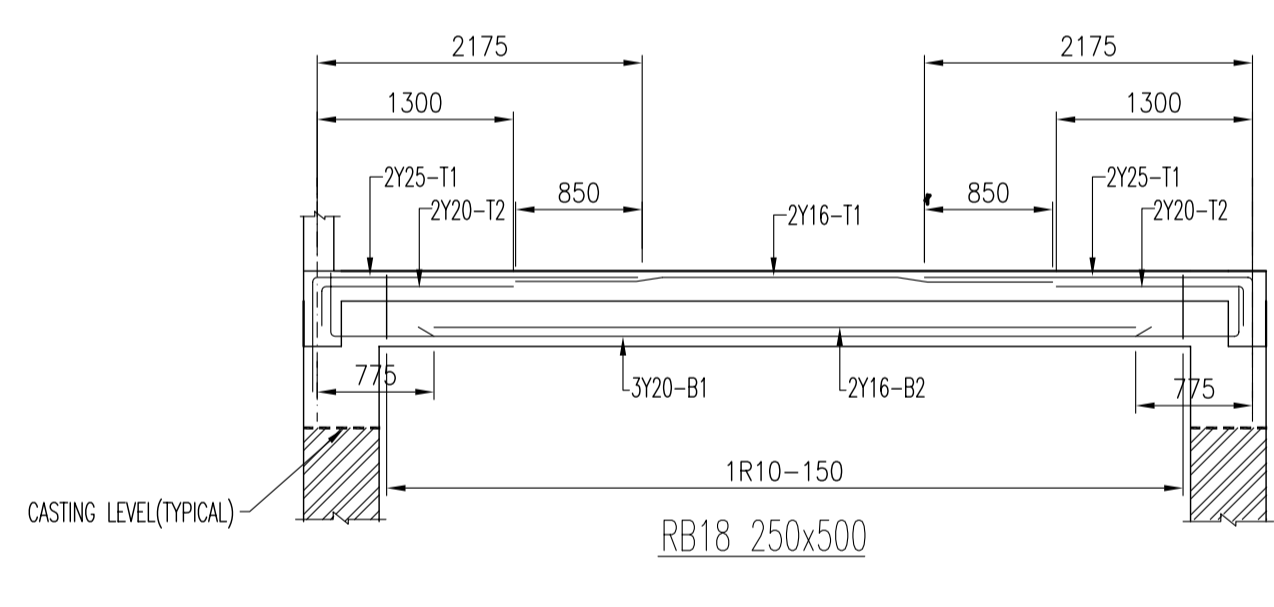
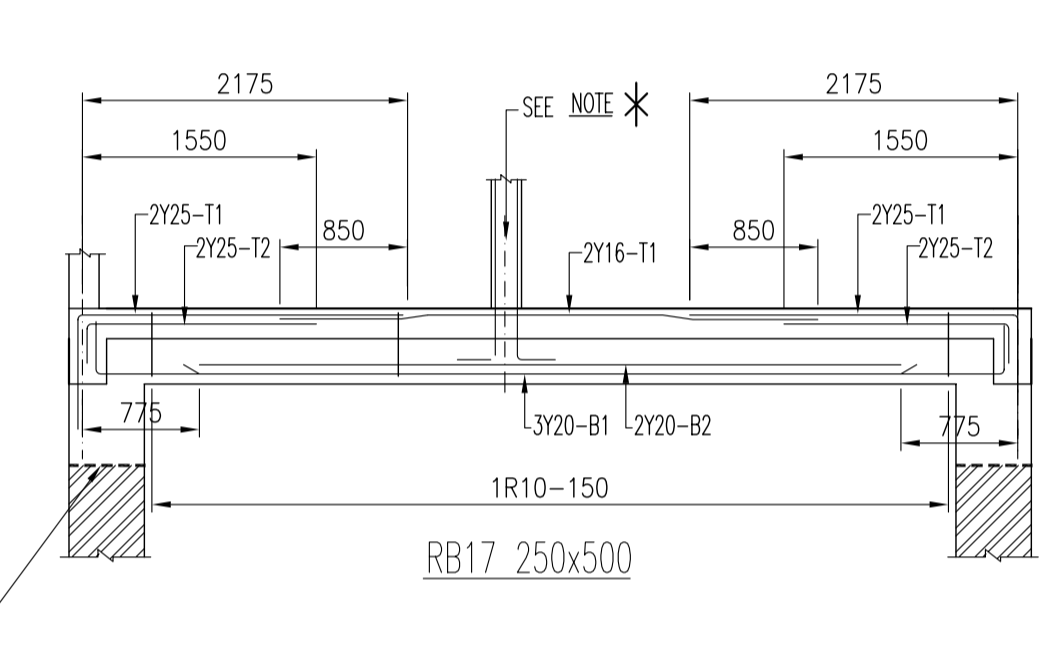
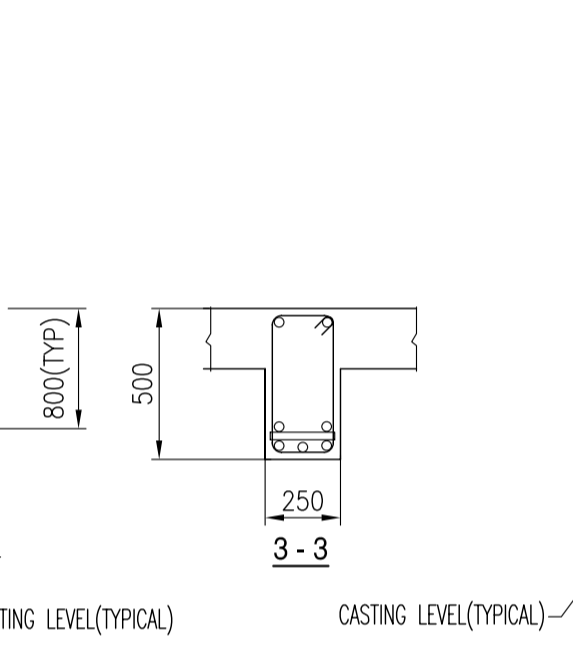
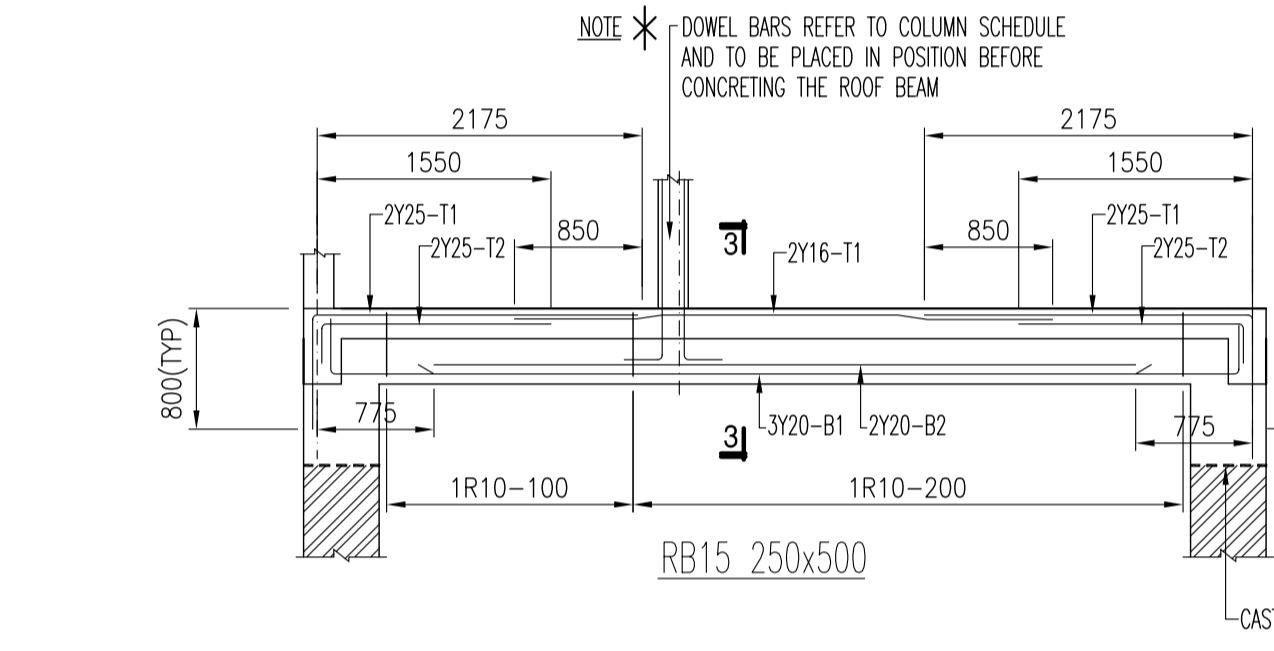
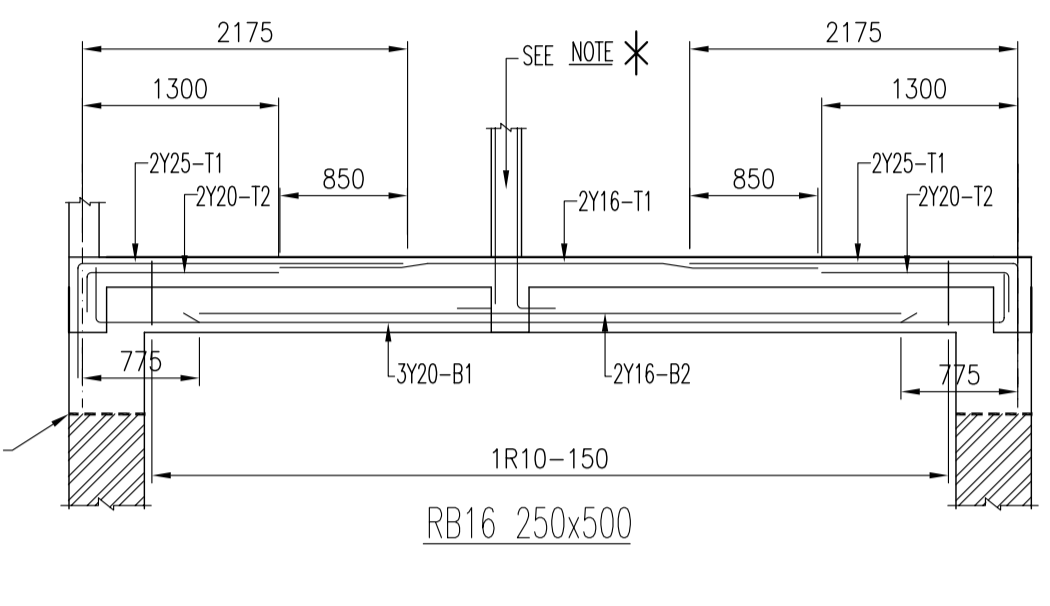
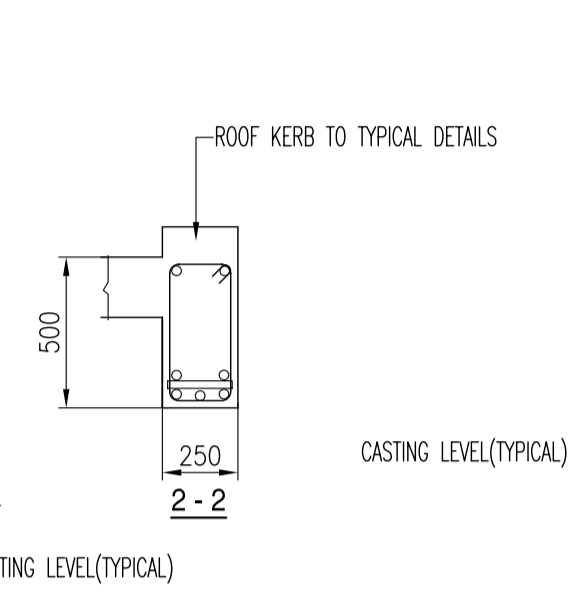
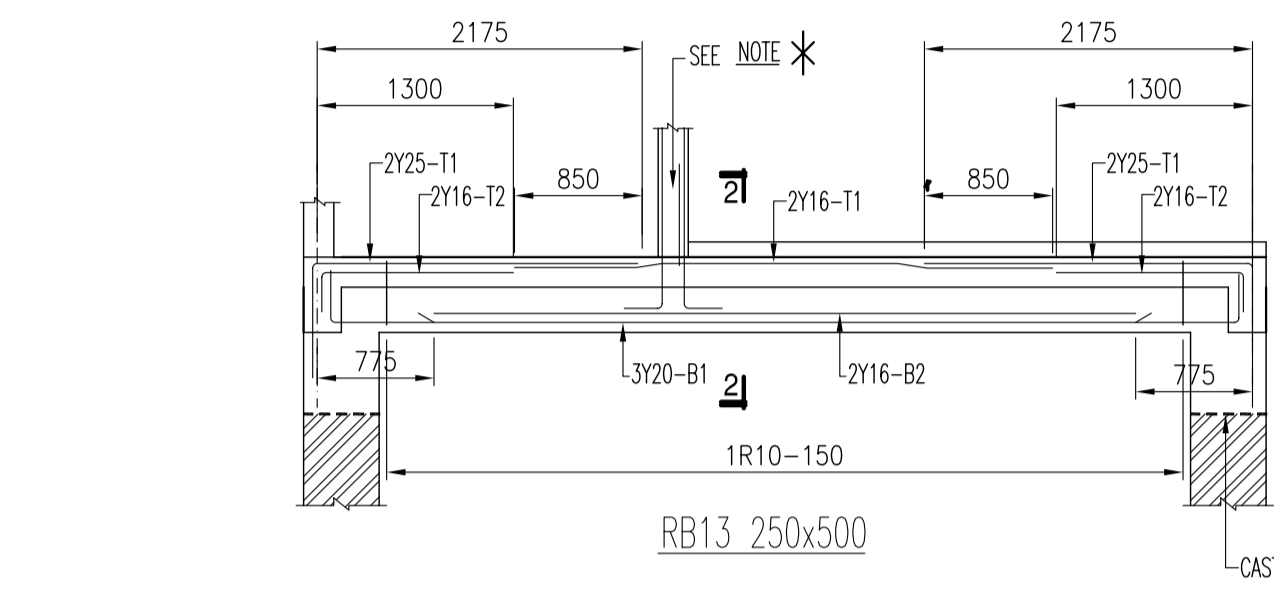
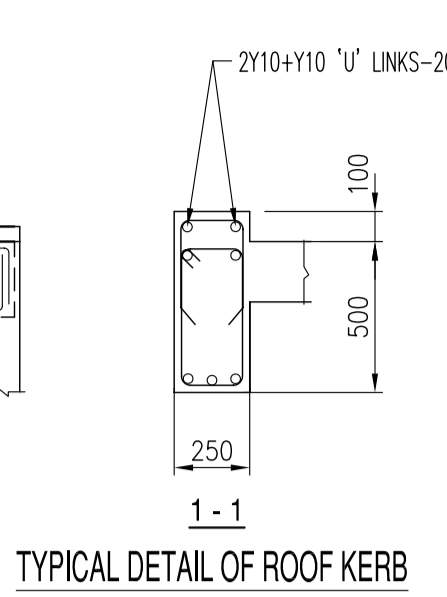
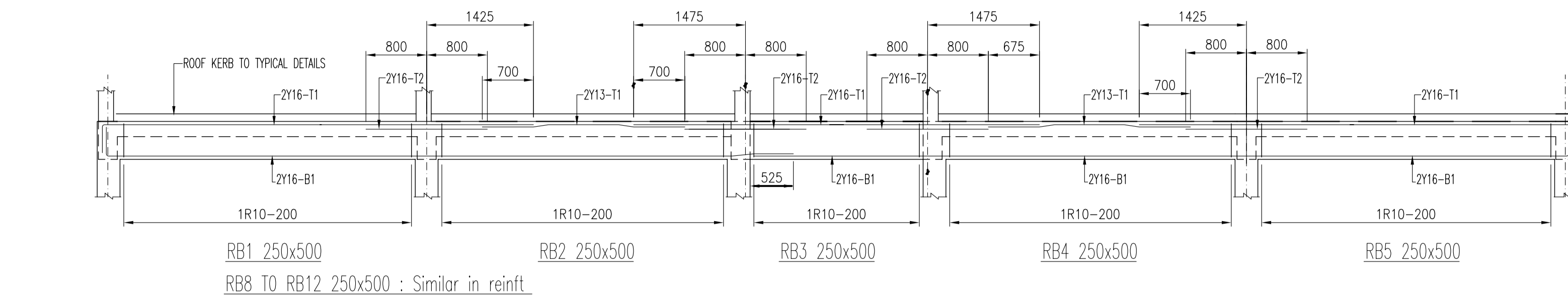
Rev.	Description	Drawn	Checked	Date	Rev.	Description	Drawn	Checked	Date	Rev.	Description	Drawn	Checked	Date

NOTES:

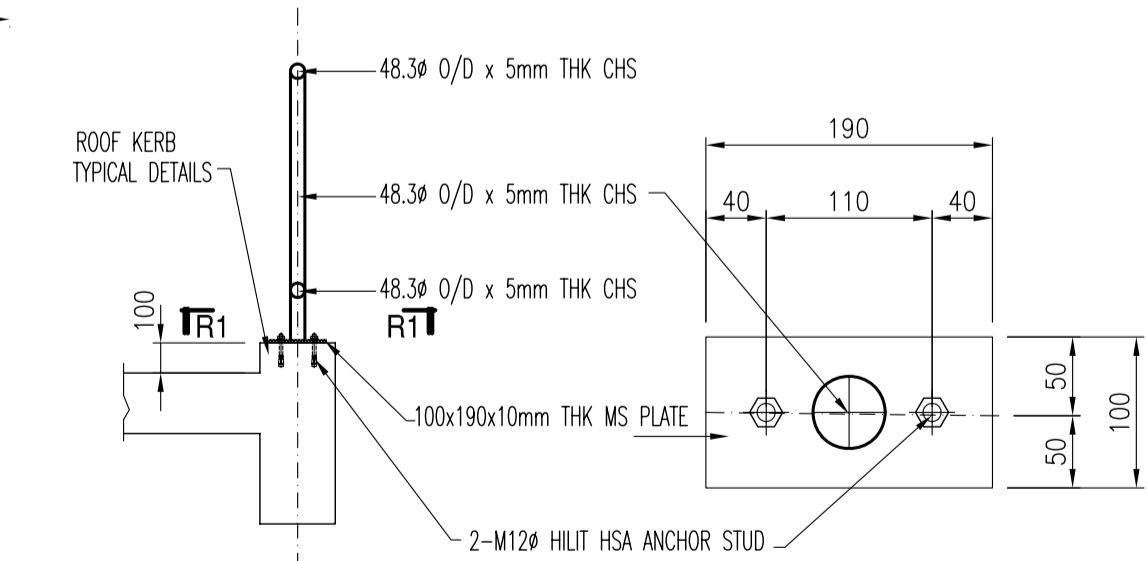
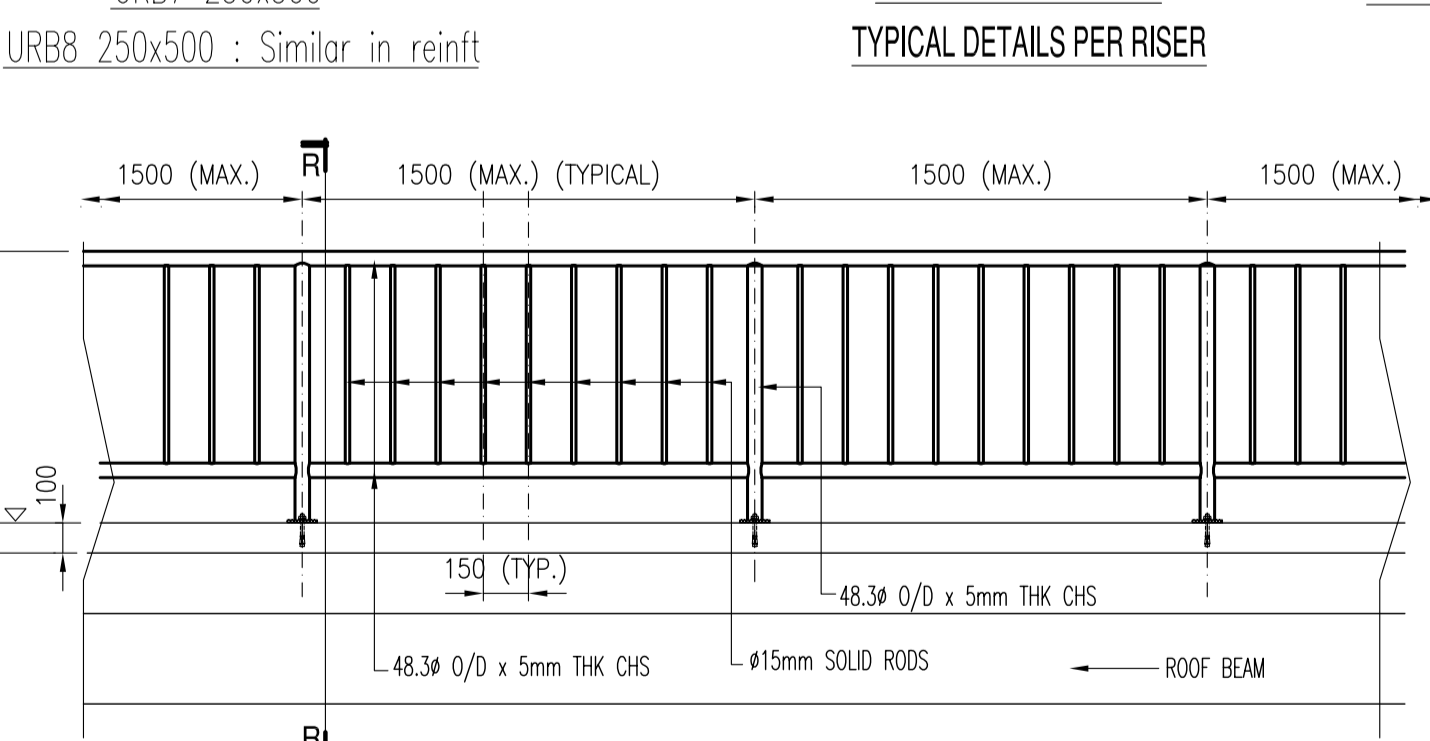
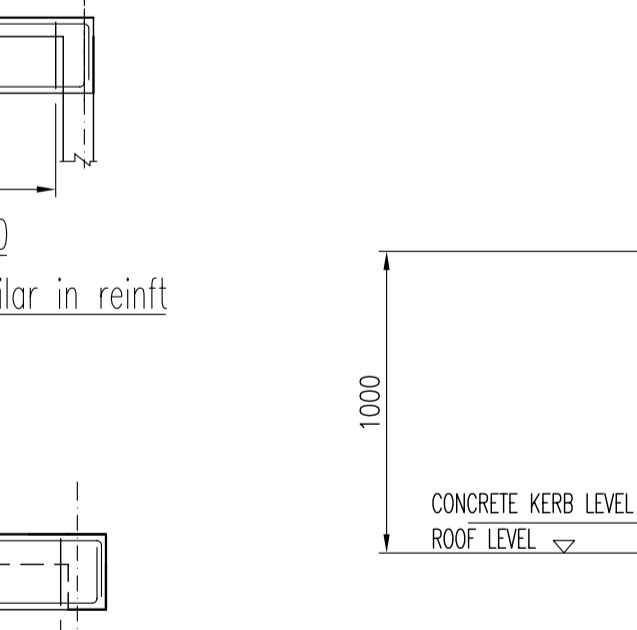
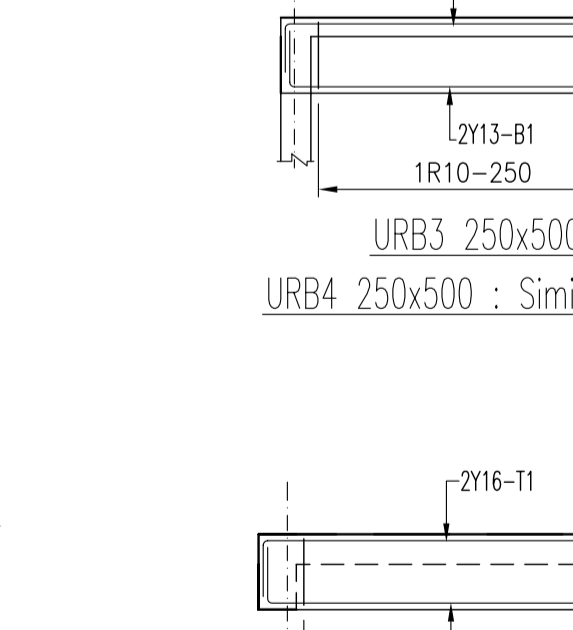
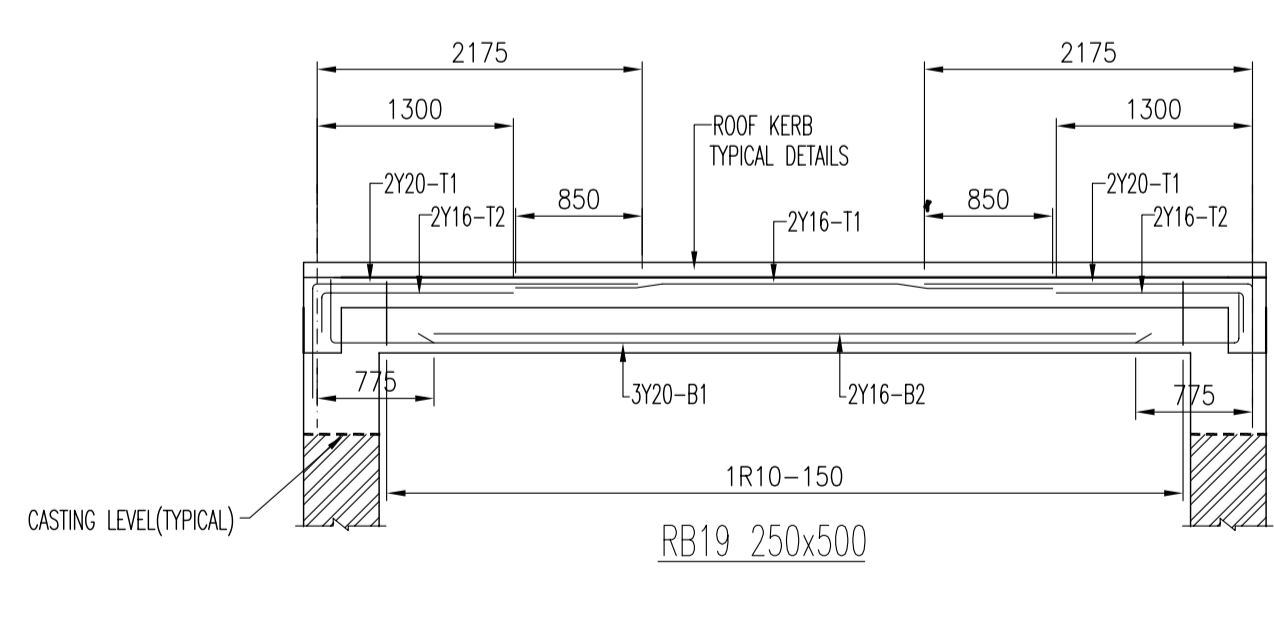
- Before commencement of the works, all dimensions on site shall be verified against Architect's and Services' drawings.
- All structural drawings are to be read in conjunction with the relevant Architectural Drawings, Technical Specifications and all other relevant documents. Any discrepancies are to be brought to the attention of the Engineer immediately prior to the commencement of the work.
- Contractor shall work on figured dimensions only and shall not scale from drawings.

Owner / Developer: -
Tenure of Land: -
Project Manager: -

Architect:
Project:
PROPOSED 3-STOREY YAP KOW NGE APARTMENT AT HAINAN, CHINA



NOTE: ALL DISTRIBUTION BARS = Y10-200



Rev.	Description	Drawn	Checked	Date	Rev.	Description	Drawn	Checked	Date

NOTES:

- Before commencement of the works, all dimensions on site shall be verified against Architect's and Services' drawings.
- All structural drawings are to be read in conjunction with the relevant Architectural Drawings, Technical Specifications and all other relevant documents. Any discrepancies are to be brought to the attention of the Engineer immediately prior to the commencement of the work.
- Contractor shall work on figured dimensions only and shall not scale from drawings.

Owner / Developer: -
 Architect: -
 Project Manager: -

Project: **PROPOSED 3-STORY YAP KOW NGEE APARTMENT AT HAINAN, CHINA**

Drawing Status: **FOR CONSTRUCTION**
 12 JUNE 2006

Civil & Structural Engineers:
PnE Consultants
 CIVIL & STRUCTURAL CONSULTING ENGINEERS
 171 Chin Swee Road #06-04 Sun Centre Singapore 169877
 Tel: 6438 5655 Fax: 6438 5755 pne@pnecon.com.sg

Drawing Title: **DETAILS OF RC ROOF AND UPPER ROOF BEAMS
 DETAILS OF RC STAIRCASE**

Drawn	yim	Scale	1:50
Checked	RR/LBW	Project No.	Sq005(38)
Date	24/04/06	Drawing No.	RF-d1
		Revision	A

The Copyright of this drawing is the property of PnE Consultants. This drawing shall not be used for any purpose other than in connection with the project it is originally prepared except with written consent of PnE Consultants.